


PRODUCT SHEET

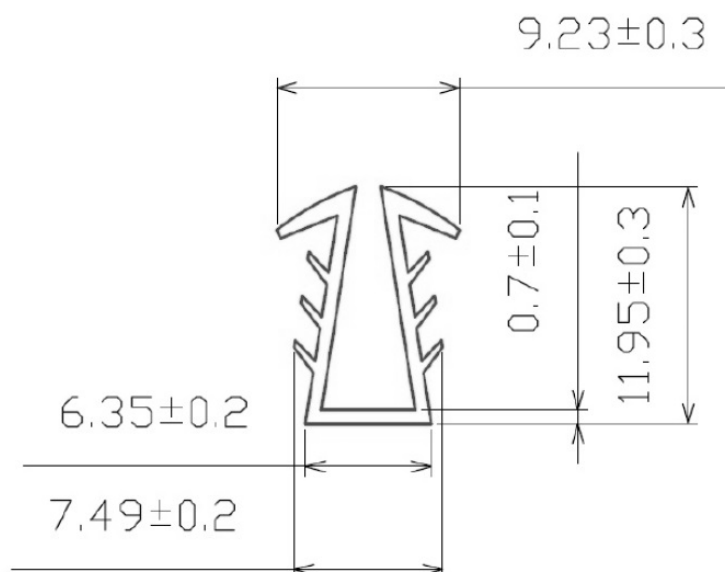
Description:

U-Spline F/Glass System "8600"+"2010"+"2740", Grey PVC, In Rolls of 100 Meters

Item number:

22.26.060-0

Units	Box	Carton	HS Code	Barcode
Pl.	1	1	3904220090	
				5704866086202



SISO A/S

Mileparken 11
DK-2740 Skovlunde
Denmark
VAT: DK 24786013

Phone +45 45 830 900

www.siso.dk
siso@siso.dk

Danske Bank
Nytorv Branch
Copenhagen
SWIFT: DABADKKK

Account no.
4180 3112 112936
IBAN Account
DK7230003112112936